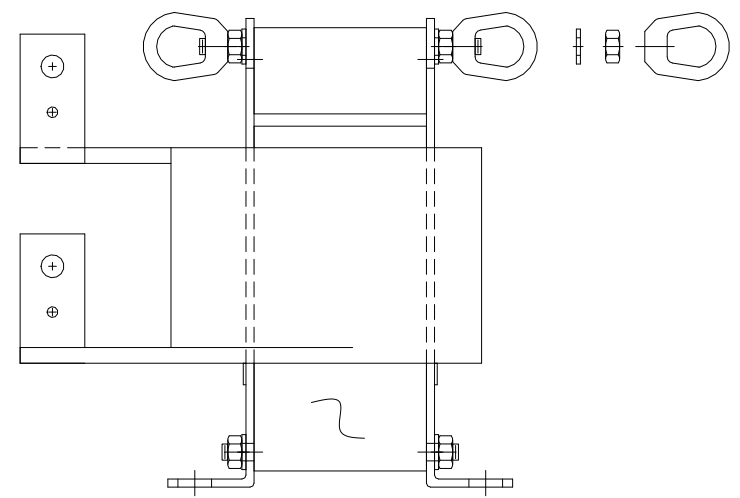
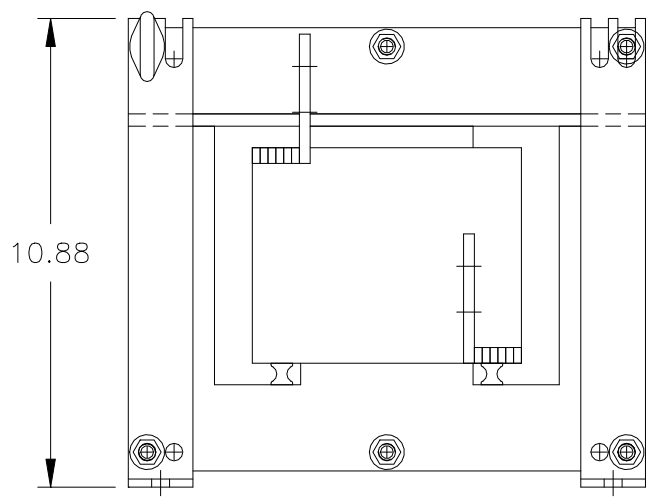


$L(1-2) = 0.25\text{mH} \pm 10\%$   
 $I_{dc} = 450\text{ Amps}$   
 $I_{ac} = 15.9\text{A} @ 360\text{Hz}$



UNLESS OTHERWISE SPECIFIED, DIMENSIONS ARE IN INCHES [mm] AND TOLERANCES ARE:

DECI.  $\pm 0.030$  [.76]    FRAC.  $\pm 1/8"$  [3.18]

ANGLES  $\pm 1^\circ$     DRILLED HOLES  $\pm 0.010$  [.25]

PART NAME:	DC LINK CHOKE
DESCRIPTION:	ASSEMBLY
FINISH:	SPSDOC EF1FIN1 & SPF003

MTE CORPORATION MEMONOMEE FALLS, WISCONSIN			
450RB004			REV. 00
SCALE	NTS	DATE 09/08/04	C'K'D
REF.	DR. BY	KPH	APP'D